

Technical data sheet



Product features

Cooking range electric 6x plates

| | | |
|--------------|-----------------|----------|
| Model | SAP Code | 00014647 |
|--------------|-----------------|----------|



- Device type: Electric unit
- Material: AISI 304

| | | | |
|------------------------|----------|----------------------------|--------------------|
| SAP Code | 00014647 | Net Weight [kg] | 121.00 |
| Net Width [mm] | 1200 | Power electric [kW] | 21.000 |
| Net Depth [mm] | 900 | Loading | 400 V / 3N - 50 Hz |
| Net Height [mm] | 900 | | |

Technical data sheet



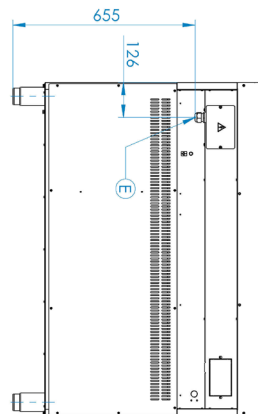
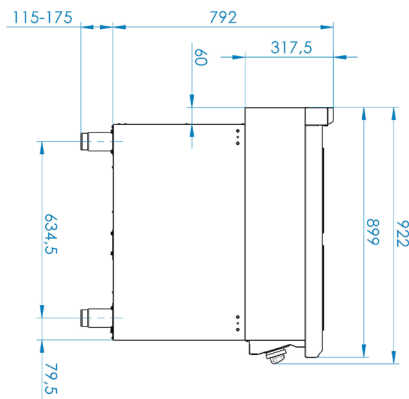
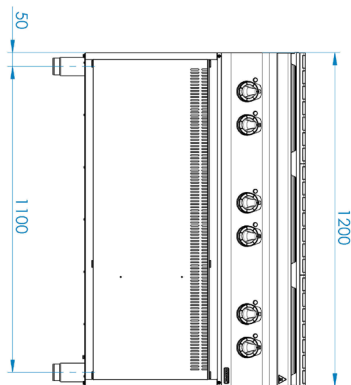
Technical drawing

Cooking range electric 6x plates

Model

SAP Code

00014647



Technical data sheet



Technical parameters

Cooking range electric 6x plates

Model

SAP Code

00014647

1. SAP Code:

00014647

2. Net Width [mm]:

1200

3. Net Depth [mm]:

900

4. Net Height [mm]:

900

5. Net Weight [kg]:

121.00

6. Gross Width [mm]:

1260

7. Gross depth [mm]:

990

8. Gross Height [mm]:

1180

9. Gross Weight [kg]:

140.00

10. Device type:

Electric unit

11. Power electric [kW]:

21.000

12. Loading:

400 V / 3N - 50 Hz

13. Material:

AISI 304

14. Worktop Thickness [mm]:

1.50

15. Number of power control stages:

7

16. Number of burners/hot plates:

6

17. Type of electric cooking zones:

Oval